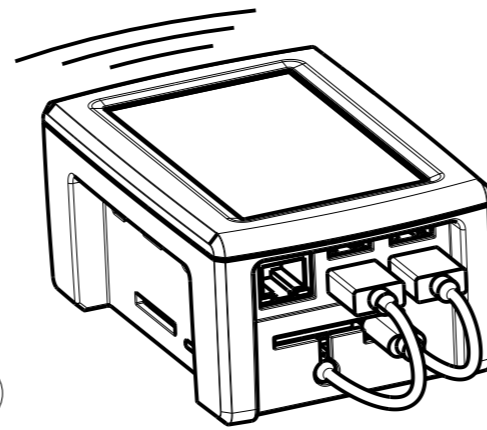


# ADVANCED CAMERA DEVICE ASSEMBLY

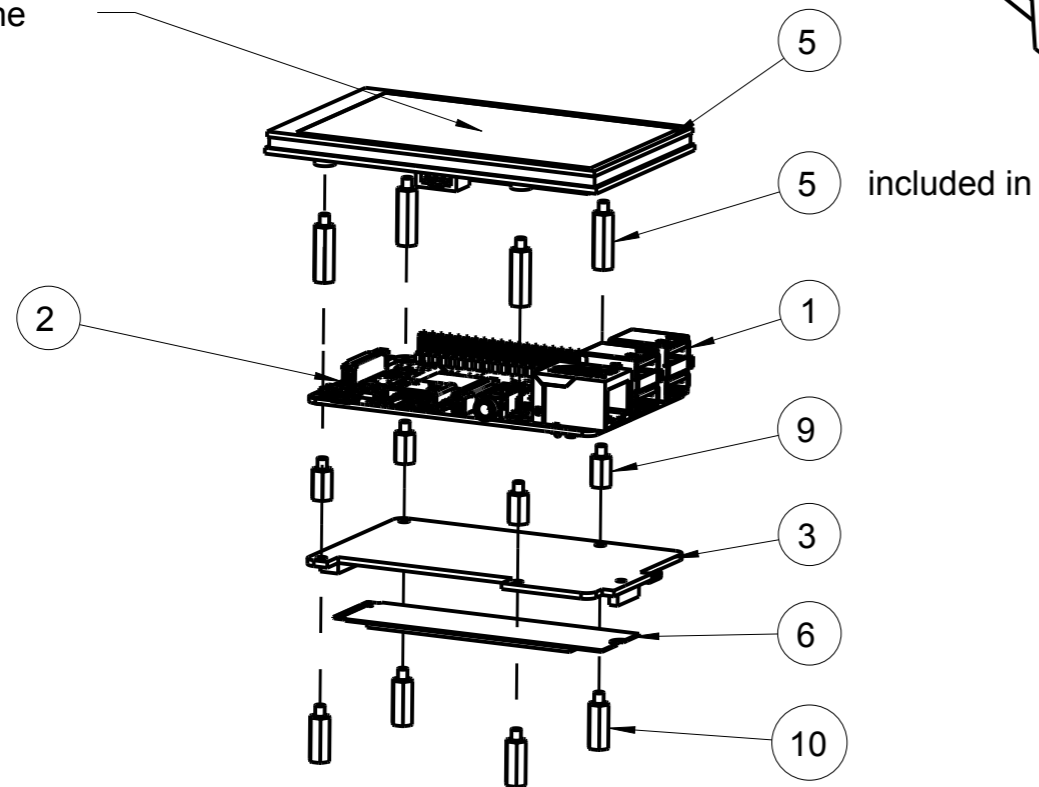
X500-1000 Rev. 03 / 2020-01-29



| Pos. | Quantity | Manufactor              | Name  |
|------|----------|-------------------------|---|
| 1    | 1        | Raspberry Pi Foundation | Raspberry Pi 3 Model B  |
| 2    | 1        | Divers                  | Micro-SD Card 8GB with ACD-OS   |
| 3    | 1        | Renkforce               | Raspberry Pi USB2.0 to M.2 SATA SSD Converter   |
| 4    | 1        | Renkforce               | Raspberry Pi USB to SD 3.0 (SDXC) Converter   |
| 5    | 1        | Pimoroni                | HyperPixel 4.0 Hi-Res Touch Display   |
| 6    | 1        | Divers                  | M.2 SATA SSD (16GB up to 2TB)<br>Type 2280, 2260, 2242, 2230,<br>double sided module, max. height 1,5mm |
| 7    | 2        | deleyCON                | USB Cable MK2321, 0,15m   |
| 8    | 8        | Divers                  | Screw ISO 14583-M2,5x8 TX8  |
| 9    | 4        | Divers                  | Standoffs 8mm, M2,5   |
| 10   | 4        | Divers                  | Standoffs 12mm, M2,5  |
| 11   | 1        | Divers                  | Hexagon nut ANSI B 18.2.2 - 1/4"-20 UNC   |
| 12   | 4        | KVT                     | Threadbush KVT 336M2,5 (BN 37941)   |
| 13   | 1        | (Self printing)         | Casing lower part   |
| 14   | 1        | (Self printing)         | Casing top part   |
| 15   | 1        | (Self printing)         | Flapp   |
| 16   | 1        | (Self printing)         | Power LED glas  |
| 17   | 1        | (Self printing)         | Cardreader LED glas   |

Pre-assembly

Do not remove the protective foil from the display.



Micro-SD card with ACD-OS not shown. Assembly only in the finished device

The upper part can only be mounted in one direction. The inside >PA< tag must be on the side with the USB ports.

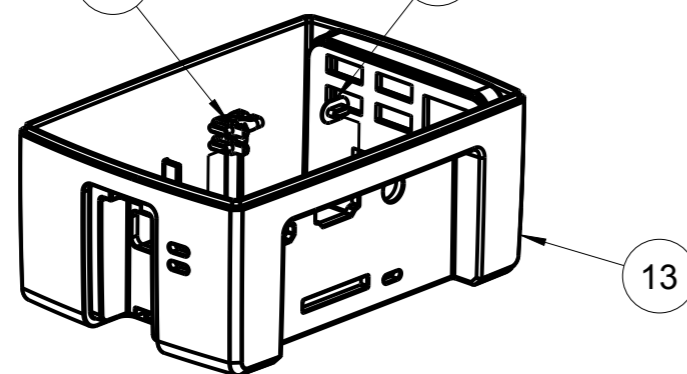
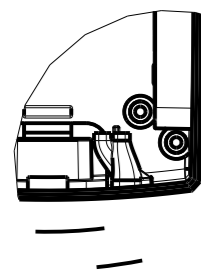
Pre-assembly

(Power LED glas)

16

(Cardreader LED glas)

17



Glue the LED glasses with the casing

